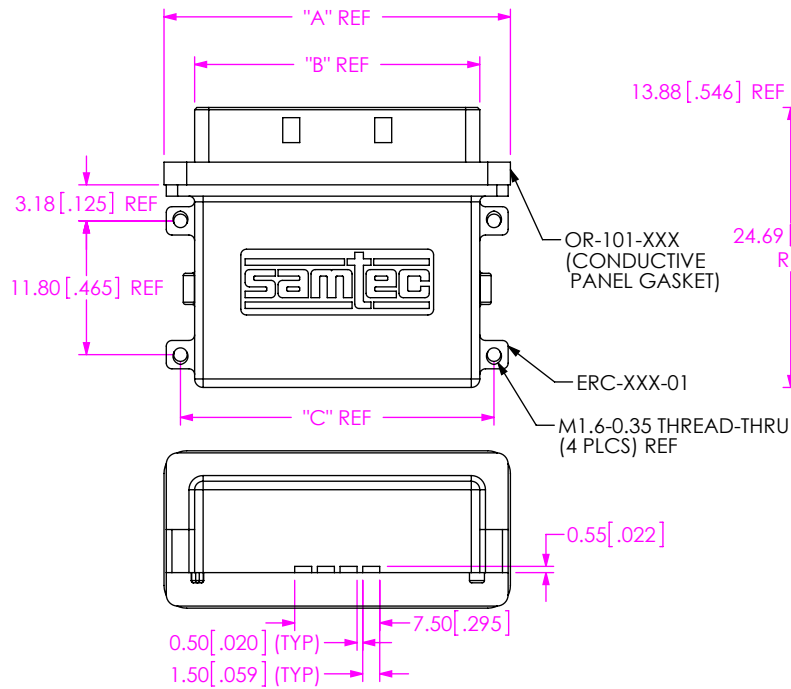


DO NOT SCALE FROM THIS PRINT

FIG 1
(ERC-019-01-02 SHOWN)
(WITH CONDUCTIVE PANEL GASKET)



ERC-XXX-01-XX

No OF POSITIONS
-019 = 19 POSITION
-031 = 31 POSITION

OPTIONS
-01 = WITHOUT GASKET
-02 = WITH GASKET

RIGHT ANGLE CAGE

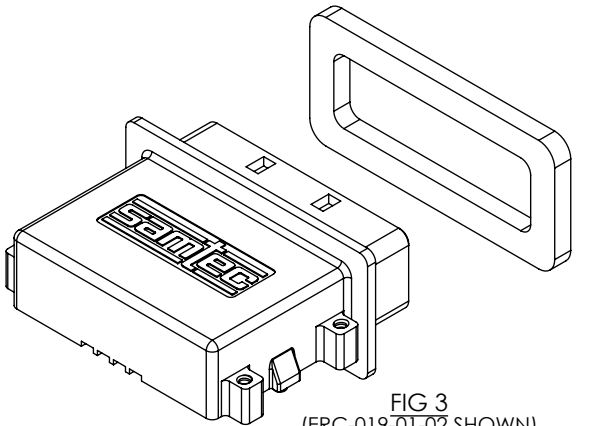
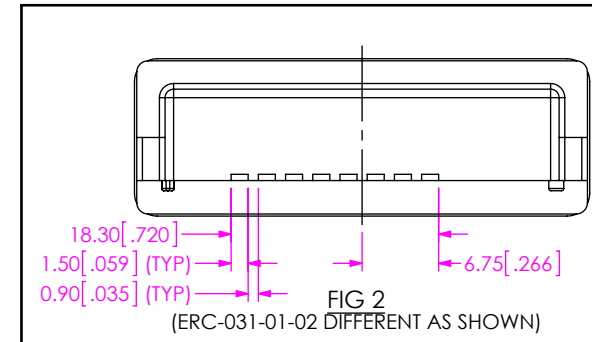
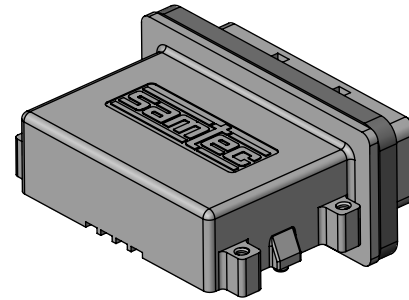
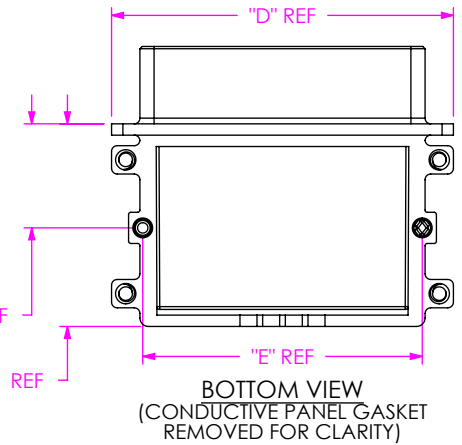


FIG 3
(ERC-019-01-02 SHOWN)
(WITH CONDUCTIVE PANEL GASKET BEFORE ASSEMBLY)

ASSY P/N	"A"		"B"		"C"		"D"		"E"		CAGE P/N	PANEL GASKET P/N
	mm	inches	mm	inches	mm	inches	mm	inches	mm	inches		
ERC-019-01-01	30.55	1.203	25.15	.990	27.65	1.089	30.15	1.187	24.65	.970	ERC-019-01	N/A
ERC-019-01-02												OR-101-019
ERC-031-01-01	40.15	1.580	34.75	1.368	37.25	1.466	39.75	1.565	34.25	1.348	ERC-031-01	N/A
ERC-031-01-02												OR-101-031

NOTES:

1. REPRESENTS A CRITICAL DIMENSION.
2. PARTS TO BE PACKAGED IN TRAYS, PROVIDED BY SAMTEC.

UNLESS OTHERWISE SPECIFIED, DIMENSIONS ARE IN MILLIMETERS [INCHES].

TOLERANCES ARE:
DECIMALS ANGLES
X.X: ±0.3 [.01] 2°
X.XX: ±0.13 [.005]
X.XXX: ±0.025 [.0010]

PROPRIETARY NOTE

THIS DOCUMENT CONTAINS INFORMATION CONFIDENTIAL AND PROPRIETARY TO SAMTEC, INC. AND SHALL NOT BE REPRODUCED OR TRANSFERRED TO OTHER DOCUMENTS OR DISCLOSED TO OTHERS OR USED FOR ANY PURPOSE OTHER THAN THAT WHICH IT WAS OBTAINED WITHOUT THE EXPRESSED WRITTEN CONSENT OF SAMTEC, INC.

MATERIAL: DO NOT SCALE DRAWING SHEET SCALE: 2:1
DIECAST CAGE: ZINC ALLOY
PANEL GASKET: ORNI BEARING CONDUCTIVE FOAM



520 PARK EAST BLVD, NEW ALBANY, IN 47150
PHONE: 812-944-6733 FAX: 812-948-5047
e-Mail: info@SAMTEC.com code: 55322

DESCRIPTION:
ER18 RIGHT ANGLE PCB CAGE ASSY

DWG. NO.
ERC-XXX-01-XX

BY: KNOWLDEN 5/9/2007 SHEET 1 OF 1