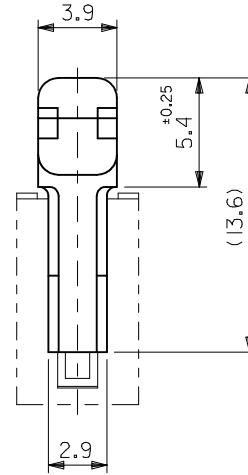
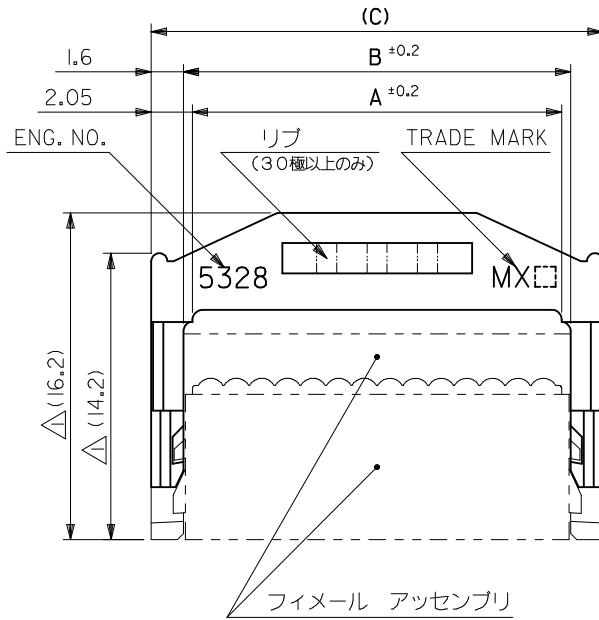


注記

- △ フィメール アッセンブリ (仮想線) に取り付けた時の寸法を示す。
- 2. 適合フィメール アッセンブリ : 5320 シリーズ
- 3. 材質 : PBTP UL94V-0  
色 : 黒色



42.73	39.53	38.63	15-25-1303	5328-30	30
C	B	A	EDP NO.	ENG. NO.	極数

REVISED & REDRAWN EC NO: J2013-0569 DRW:KMATSUYAMA 2012/12/05 CHK:D.KASAKAWA 2012/12/18 APPR:Y.IITO 2012/12/19	GENERAL TOLERANCES (UNLESS SPECIFIED)		DIMENSION STYLE MM ONLY		SCALE 4:1	DESIGN UNITS METRIC	THIRD ANGLE PROJECTION
	10 UNDER	±0.2	DRAWN BY KMATSUYAMA	DATE 2012/12/05	TITLE QIK FLECS STRAIN RELIEF JAPANESE ONLY  <b>molex</b>		
	10 OVER 30 UNDER	±0.25	CHECKED BY KASAKAWA	DATE 2012/12/05			
	30 OVER	±0.3	APPROVED BY Y.IITO	DATE 2012/12/19			
ANGULAR	±3 °	MATERIAL NO. SEE CHART		DOCUMENT NO. SD-5328-001	SHEET NO. 1 OF 1		
DRAFT WHERE APPLICABLE MUST REMAIN WITHIN DIMENSIONS		THIS DRAWING CONTAINS INFORMATION THAT IS PROPRIETARY TO MOLEX INCORPORATED AND SHOULD NOT BE USED WITHOUT WRITTEN PERMISSION					